



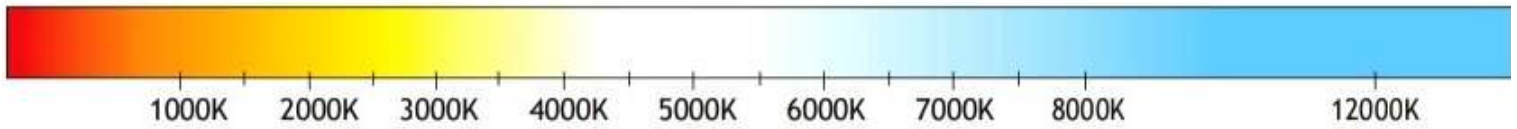
SUNBEST

SUNBEST TRADING

LED Cabinet Lighting System



LED Colour Temperature



Cool White
6000K

Natural White
4000K

Warm White
3000K

LED Advantages

- high efficiency = low energy consumption
- minimal heat generation
- very long life expectancy (no maintenance costs)
- small size/design flexibility
- resistance to shocks and vibrations
- low voltage (SELV safety extra low voltage)
- no UV emissions/no "bleaching" of illuminated objects
- no IR radiation/no heating of illuminated objects
- no flickering

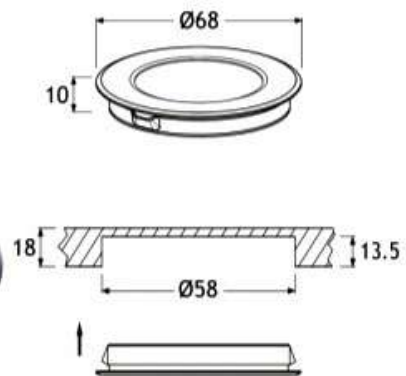
LED Strip Distribution

cm		lux
0		
30		872
50		431
100		180

LKF1513

Cabinet Down Light

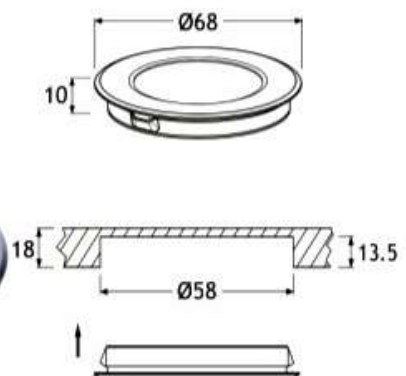
* Item Support Without Transformer



Power	Light Color	Voltage	Switch Mode	Material	Price*MYR
2.5W	SMD3014 3000k 4000k	AC 240V	No Switch	PC, Alluminium alloy	

LKF1514S

Cabinet Down Light



Power	Light Color	Voltage	Switch Mode	Material	Price*MYR
2.5W	SMD3014 3000k 4000k	12V	No Switch	PC, Alluminium alloy	

LKF1506WU

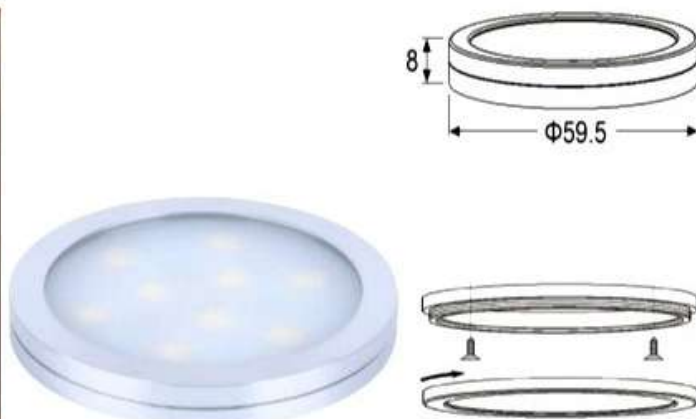
Cabinet Down Light



Power	Light Color	Voltage	Switch Mode	Material	Price*MYR
2.7W	SMD2835 3000k 4200k	12V	No Switch	Acrylic, Alluminium alloy	

LKF1601WU

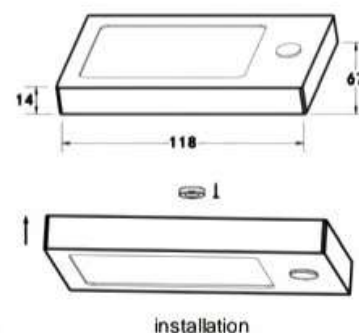
Cabinet Down Light



Power	Light Color	Voltage	Switch Mode	Material	Price*MYR
1.8W	SMD5050 3000k 4200k	12V	No Switch	PC, Alluminium alloy	

LKF1706RC

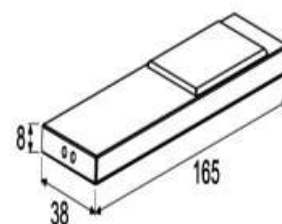
Rechargeable Cabinet Light



Power	Light Color	Voltage	Switch Mode	Colour	Material	Price*MYR
0.8W	SMD3014 4200k	5V	PIR Sensor Switch	Black/Sliver	Acrylic, ABS	

LKF2501C

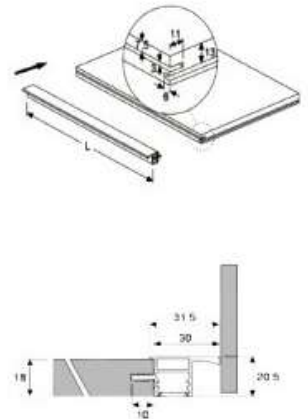
Cabinet Light



Power	Light Color	Voltage	Switch Mode	Material	Price*MYR
1.2W	SMD5050 4200k	12V	IR Sensor Switch	PC, Alluminium alloy	

LKF3503WU

Wall Unit Light

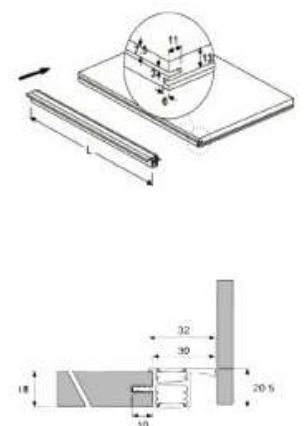


Size	Power	Light Color	Voltage	Feature	Switch Mode	Price*MYR
563mm 963mm	3.8W 6.6W	SMD3528 4200k	12V	Single-side illumination	Motion-Activated Switch	

* length can be custom

LKF3504WU

Wall Unit Light

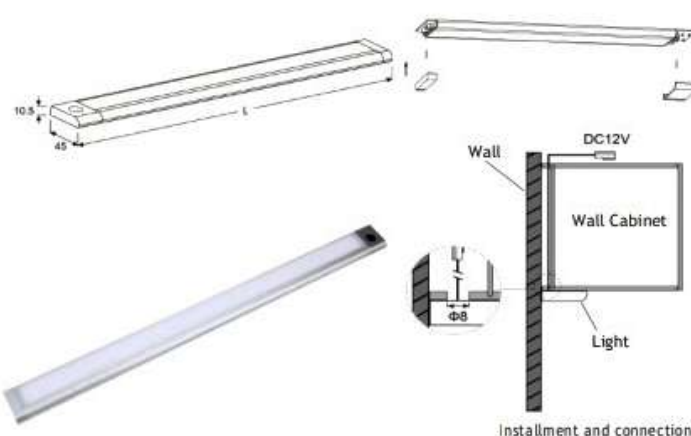


Size	Power	Light Color	Voltage	Feature	Switch Mode	Price*MYR
563mm 963mm	7.2W 12.8W	SMD3528 4200k	12V	Double-side illumination	Motion-Activated Switch	

* length can be custom

LKF3509WU

Wall Unit Light



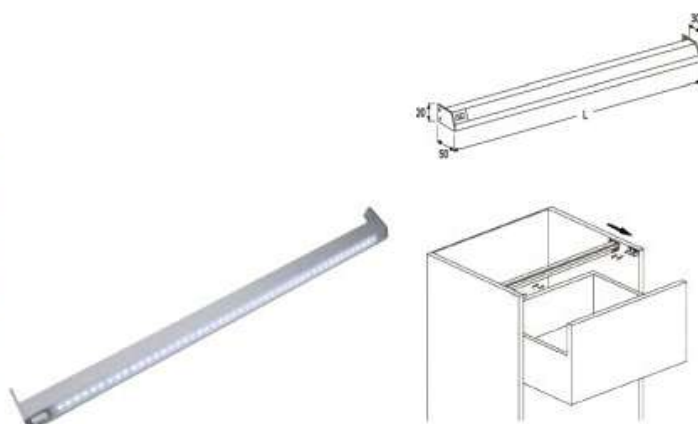
Installation and connection

Size	Power	Light Color	Voltage	Feature	Switch Mode	Price*MYR
600mm 900mm	5.0W 7.6W	SMD3014 4200k	12V	LED Light Guiding Panel	Motion Activated Switch	

* length can be custom

LKF6504D

Drawer Light

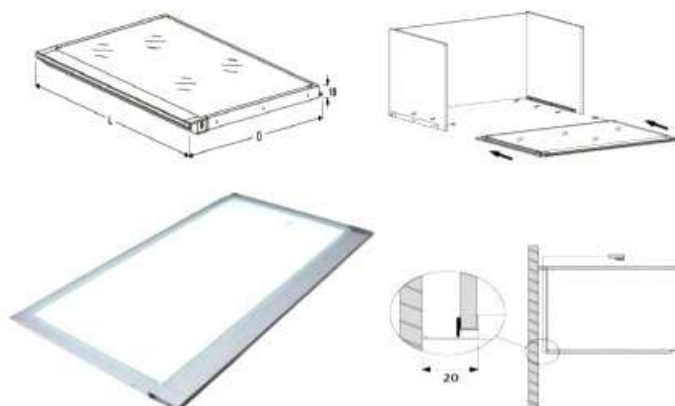


Size	Power	Light Color	Voltage	Feature	Switch Mode	Price*MYR
562mm 962mm	3.3W 5.9W	SMD3528 4200k	12V	Slanted surface	IR sensor switch	

* length can be custom

LKF3512WU

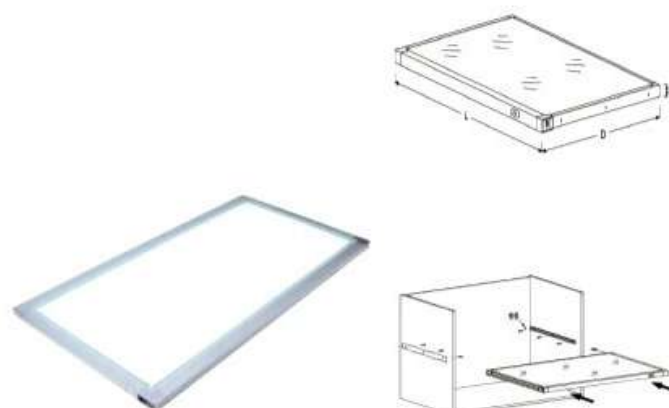
Wall Unit Light



Size	Power	Light Color	Voltage	Feature	Switch Mode	Price*MYR
563*330*18mm 863*330*18mm 963*330*18mm	11.5W 18.2W 20.4W	SMD3014 4200k	12V	Only 18mm thickness Double-side illumination with Balanced lighting	Motion-Activated Switch	

LKF5503CS

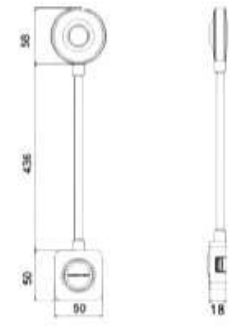
Cabinet Shelf Light



Size	Power	Light Color	Voltage	Feature	Switch Mode	Price*MYR
563*310*18mm 863*310*18mm 963*310*18mm	11.5W 18.2W 20.4W	SMD3014 4200k	12V	Dual-side illumination with balanced lighting	IR sensor switch	

LKF1002B

Bed Light



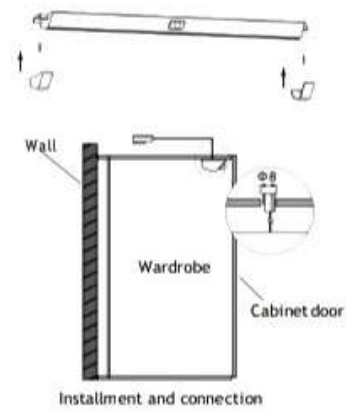
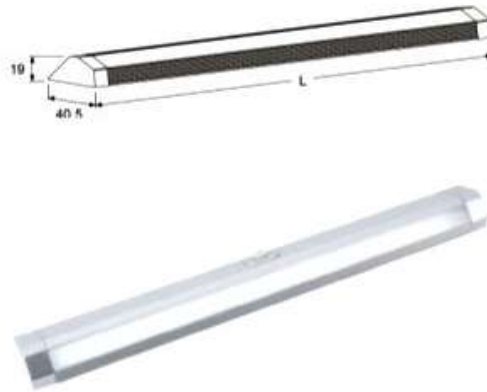
Size	Power	Light Color	Voltage	Feature	Switch Mode	Price*MYR
98mm	2.0W	4500k SMD3528	12V	Turnable Design With USB Charging Port	Touch Sensor Switch	

LKF1014B

Bed Side Light



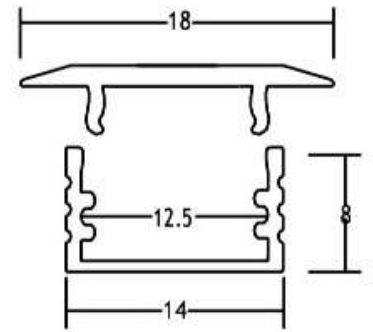
Size	Power	Light Color	Voltage	Feature	Switch Mode	Price*MYR
200mm	0.9W	4500k SMD3528	12V	Turnable Led Bed Light Light Sensation Function	PIR Sensor Switch	



Size	Power	Light Color	Voltage	Feature	Switch Mode	Price*MYR
550mm 850mm 1150mm	3.1W 5.2W 7.4W	4200k SMD3528	12V	Symmetrical Luminescence without spot	PIR sensor switch	

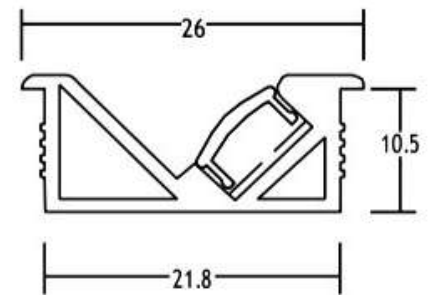
* length can be custom

LKF J17-3 LED Aluminium Profile-3000mm

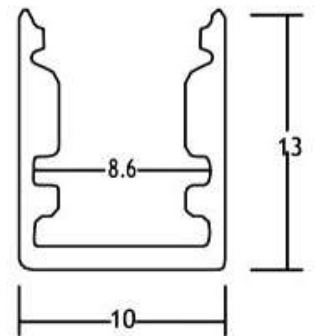


* non-dot effect with LED Strip Light 2835

LKF J16-3 LED Aluminium Profile-3000mm

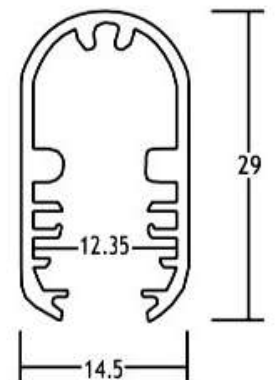


LKF R13-3 LED Aluminium Profile-3000mm



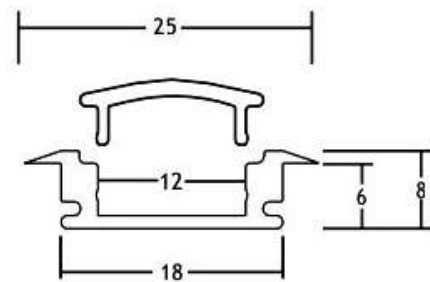
* non-dot effect with LED Strip Light 2835

LKF WOT-3 LED Wardrobe Oval Tube Profile-3m

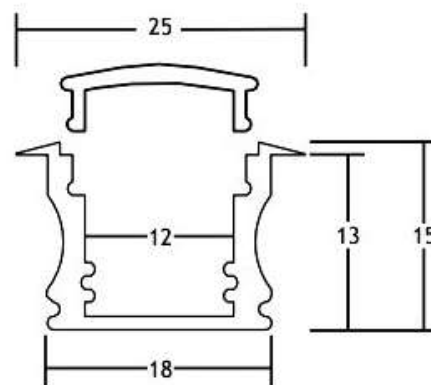


* Oval Tube Bracket RM5.60

LKF RE6-3 LED Aluminium Profile-3000mm

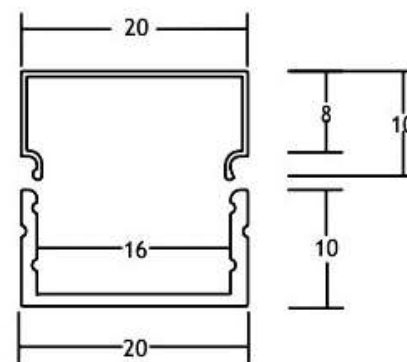


LKF RE14-3 LED Aluminium Profile-3000mm



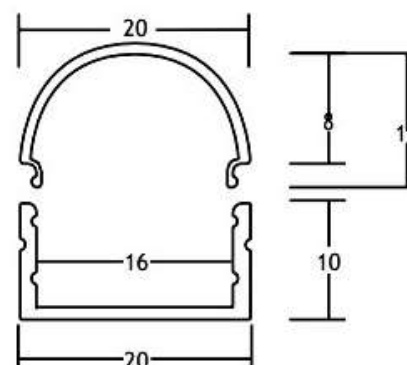
* non-dot effect with LED Strip Light 2835

LKF ES-3 LED Aluminium Profile-3000mm



* non-dot effect with LED Strip Light 2835 or 5050

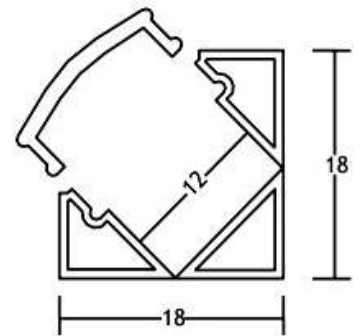
LKF ER-3 LED Aluminium Profile-3000mm



* non-dot effect with LED Strip Light 2835 or 5050

LKF CP-3

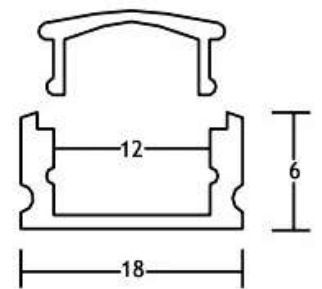
LED Corner Profile-3000mm



*non-dot effect with LED Strip Light 2825

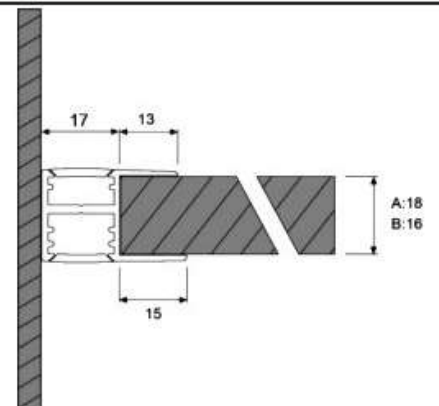
LKF R6-3

LED Aluminium Profile-3000mm



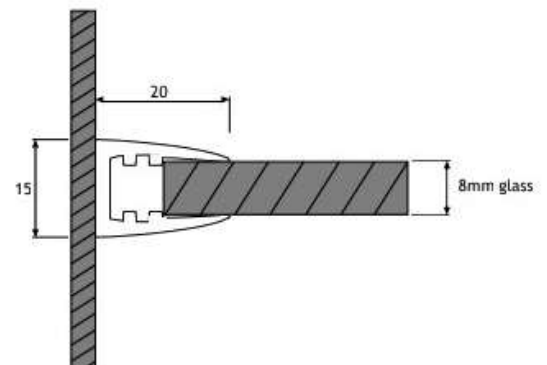
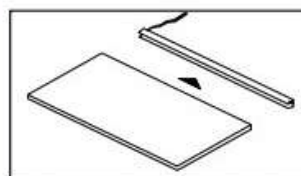
LKF SP-2.5

LED Shelf Profile-2500mm



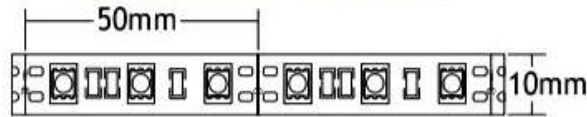
LKF AGS-3

Arcylic LED Glass Shelf Profile-3m



LKF 5050

LED Strip Light 5050

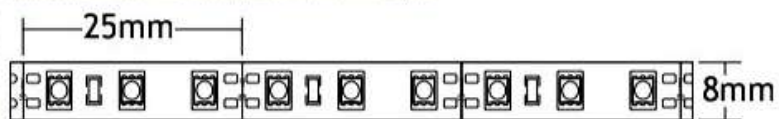


Additional Charges For
LED Strip Light With
IP67 Waterproof
Add On RM 20.00

Item	Voltage	LED Quantity	LED Strip Length	Light Color
LKF5050WW LKF5050NW LKF5050CW	DC 12V	60pcs/m 14.4W/m	5m	Warm White 3000k Natural White 4000k Cool White 6000k

LKF 2835

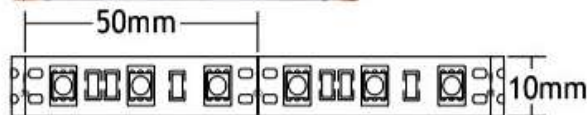
LED Strip Light 2835



Item	Voltage	LED Quantity	LED Strip Length	Light Color
LKF2835WW LKF2835NW	DC 12V	120pcs/m 12W/m	5m	Warm White 3000k Natural White 4000k

LKF 5050 RGB

LED Strip Light 5050-RGB



Item	Voltage	LED Quantity	LED Strip Length	Light Color
LKF5050RGB	DC 12V	60pcs/m 14.4W/m	5m	RGB

LKF RGB/CS

RGB Control Set



Remote

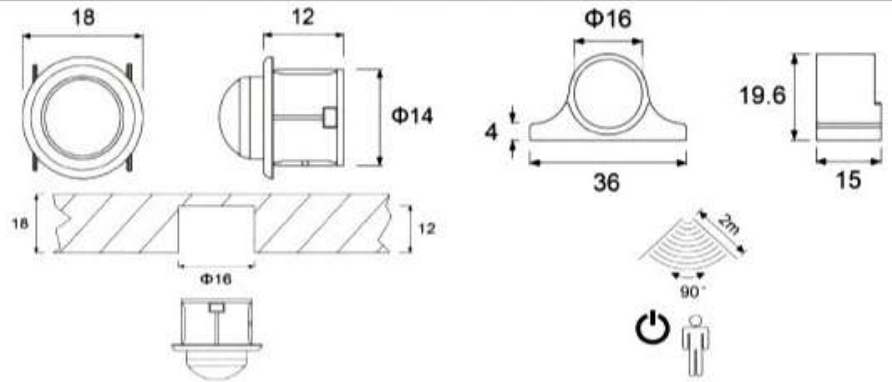
Size	100*52*20mm
Power	AAA Battery (2pc)
Programs	20 kinds

Controller

Size	85*45*23mm
Power	DC 12V-24V
Telecontrol Distance	30m

LKF 0001S

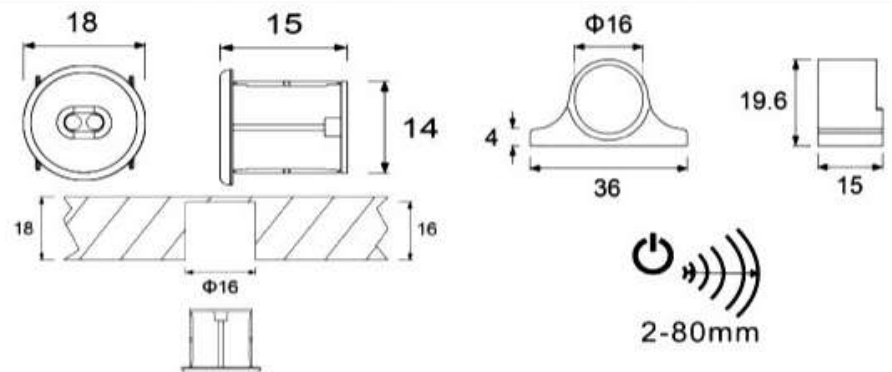
PIR Sensor Switch



Code	Voltage	Rated Load	Switch Mode	Sensing Distance	Price*MYR
LKF 0001S LKF 0001S6	12V	30W 60W	PIR Sensor Switch	<2m	

LKF 0002S

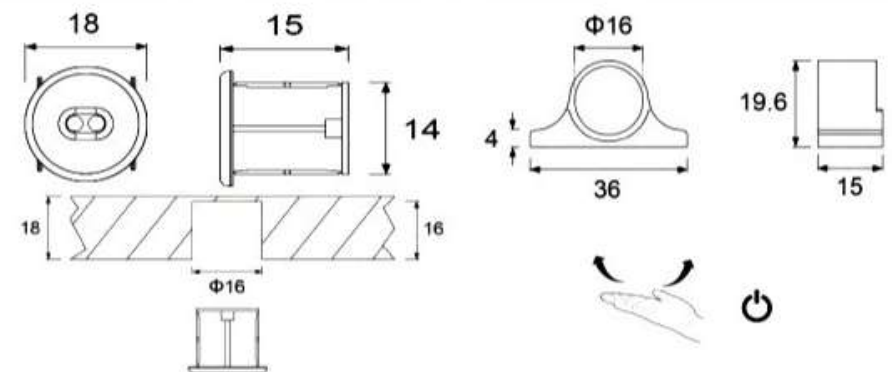
IR Sensor Switch



Code	Voltage	Rated Load	Switch Mode	Sensing Distance	Price*MYR
LKF 0002S LKF 0002S6	12V	30W 60W	IR Sensor Switch	<10cm	

LKF 0003S

Motion-Activated Switch



Code	Voltage	Rated Load	Switch Mode	Sensing Distance	Price*MYR
LKF 0003S	12V	30W	Motion-Activated Switch	<10cm	

LKF 0011 SDS

Swing Door Switch



Wire	100mm
Voltage	0.5A 250V
Colour	White



LKF -LED/DC LED Dimmer Adjust Controller



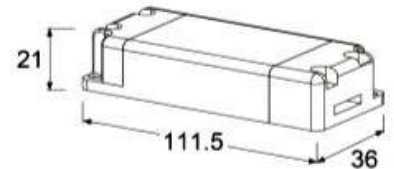
Dynamic Mode	8 Modes
Dynamic Speed Level	10 Level
Lighting Brightness Level	10 Level
Voltage	DC5 24V
Output Current	Peak 12A
Remote Distance	>15m Open Area

LKF 1207-T1.0A

LED Transformer



Size	111.5*36*21mm
Input Voltage	220-240VAC 50/60hz
Output Voltage	12V
Rated Load	12W
Short-Circuit Protection	With

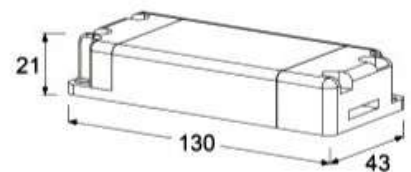


LKF 1208-T1.5A

LED Transformer



Size	130*43*21mm
Input Voltage	220-240VAC 50/60hz
Output Voltage	12V
Rated Load	18W
Short-Circuit Protection	With

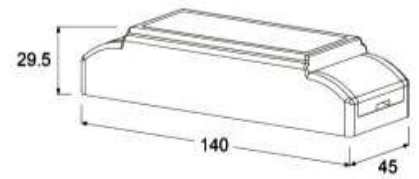


LKF 1209-T2.5A

LED Transformer



Size	140*45*29.5mm
Input Voltage	110-240VAC 50/60hz
Output Voltage	12V
Rated Load	30W
Short-Circuit Protection	With

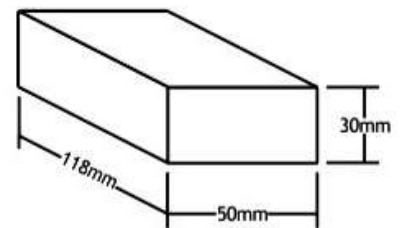


LKF 1210-T5A

LED Transformer



Size	118*50*30mm
Input Voltage	AC 100-265V
Output Voltage	DC 12V
Wattage	5A 60W

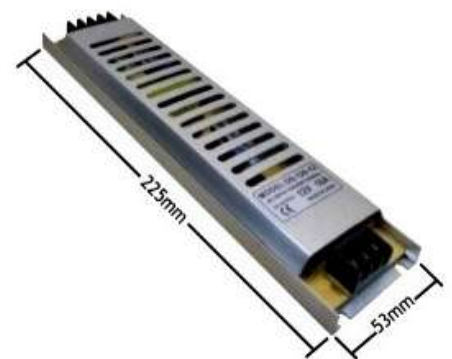


LKF 1211-T10A

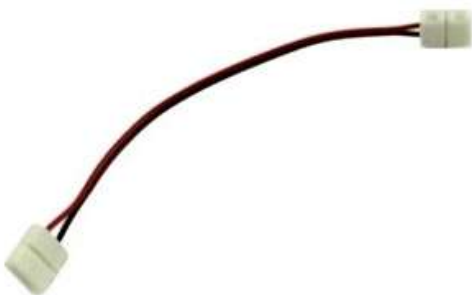
LED Transformer



Size	225*53*20mm
Input Voltage	AC 100-265V
Output Voltage	DC 12V
Wattage	10A 120W



LKF-DSC Inter Connector for LED Strip Light



Item	Wire	Clip Size
LKF1301DSC-50	15cm	10mm
LKF1302DSC-28		8mm



LKF-PWC

Plug With LED Strip Light Clip



Item	Wire	Clip Size
LKF1303PWC-50	15cm	10mm
LKF1304PWC-28		8mm

LKF-EC-2M

LED Extension Connector (2m)



Item	Wire
LKF1305EC-2M	2 meter

LKF-WD

Wire Distributor



Item	Distributor
LKF1306WD-4W	4 Outlet

LKF7001PUS

USB Pull Up Power Socket



Product Features

Top Diameter : 100mm
Hole Cut Out : 90-95mm
Socket Type : 2 x Universal Plug Mains Sockets,
2 x USB Charge Sockets (1000mA 5V)
Cable Length : 1.9 Metres
Operating Voltage : 2V
Power Rating : 13Amps
Height When Raised : 230mm
Material : PC Flame resistant material





SUNBEST TRADING

WEBSITE: sunbest2u.com

EMAIL: [info@sunbest2u.com/](mailto:info@sunbest2u.com)
info.sunbest@gmail.com

MOBILE: +6016-626 9488/
+6017-247 1989

ADDRESS: No.49-1, Jalan Kuchai Jaya 1,
Taman Kuchai Jaya,
58200 Kuala Lumpur, Malaysia.

